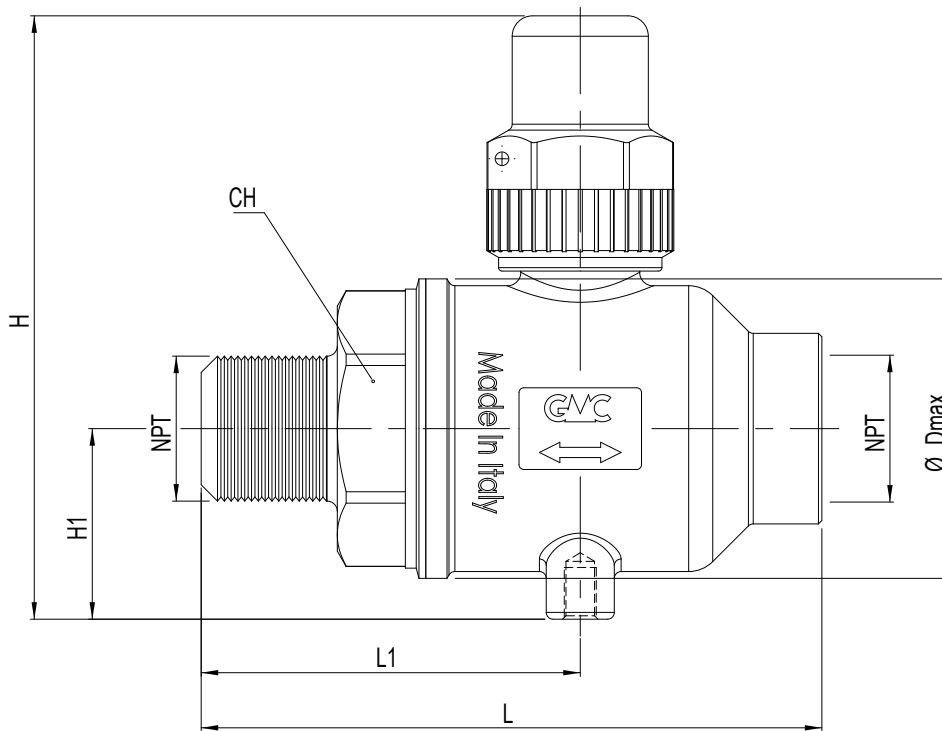


ACCESSORI PER VALVOLE DI SICUREZZA

SAFETY VALVES ACCESSORIES

BALL VALVES FOR SAFETY APPLICATION														
Type	NPT	Ball port [mm]	Kv [m ³ /h]	Fluid Temp. [°C]	PS [bar]	Dimensions [mm]						Category 2014/68/EU PED	Weight [g]	Pieces per box
						L	L1	H	H1	Ø Dmax	CH			
BVR½NPT	1/2"	12	10	-40 ++ 150	45	81	46	74	20	32	24	Art. 4.3	330	45
BV½NPT	1/2"	20	12			91	56	89	28	44	36		625	35
BV1NPT	1"	25	21			110	67	94	30	50	41		890	12



SAFETY VALVES ADAPTERS								
Type	Connections		PS [bar]	Dimensions [mm]			Weight [g]	Pieces per box
	NPT	ODS Ø		D	L	CH		
R1/4NPT	1/4"	12	45	18	33	21	58	100
R3/8NPT	3/8"	18		22	36,5	27	87	50
R1/2NPT	1/2"	22		28	44	32	165	50
R1NPT	1"	35		42	72	45	364	10

